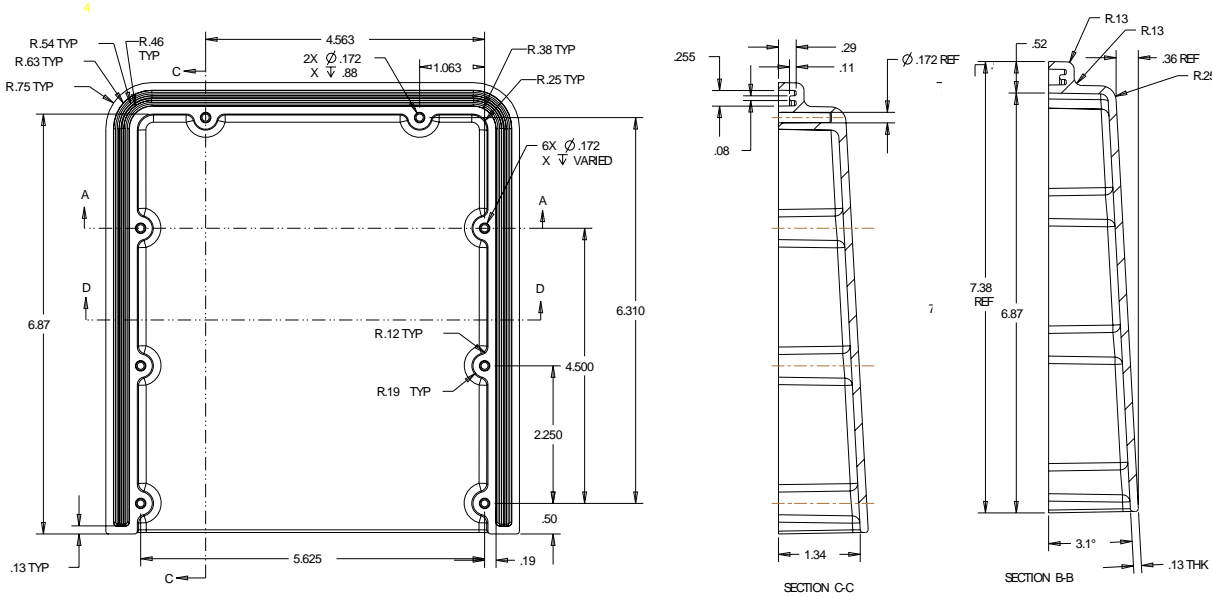
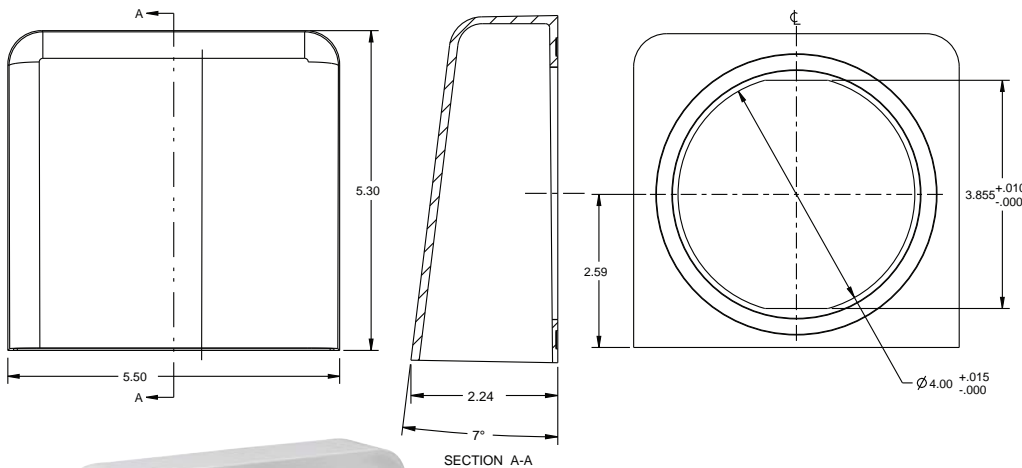


KEEPING THE ELEMENTS OUT

FAN SHROUD



FAN SHROUD VENT FILTER



APPLICATION

Our Fan Shroud and Fan Shroud Vent Filter Kits are designed to keep the elements out of your enclosure while allowing the free air movement from your filtered fan packages.

INSTALLATION

Shrouds are sized to fit neatly over your openings and fans.

SPECIFICS

- Polycarbonate
- Maintains NEMA Type 3R *Pending
- Include Gaskets On All Three Edges
- Kits Include All Mounting Hardware & Template

PART NUMBERS

FS KIT-1 (contains 1 shroud and gasket and 8 screws)

FS KIT-2 (contains 2 shrouds and gaskets and 16 screws)

FSFK-1 (contains 1 shroud with filter and gasket)

FSFK-2 (contains 2 shrouds with filter and gasket)

